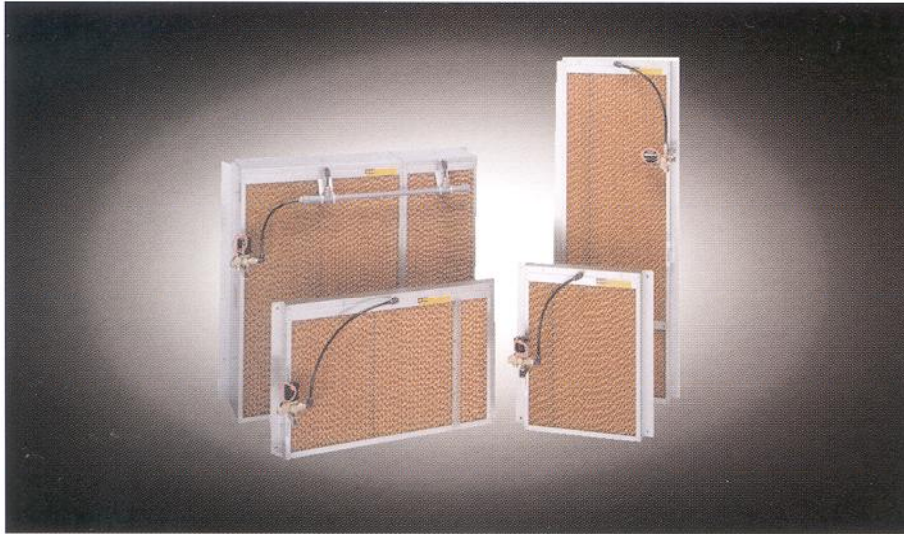


# SYSTEMS DIVISION

## HUMIDEK



HUMIDIFY THE WAY NATURE INTENDED -  
THROUGH DIRECT EVAPORATION INTO THE AIR

### ADVANTAGES

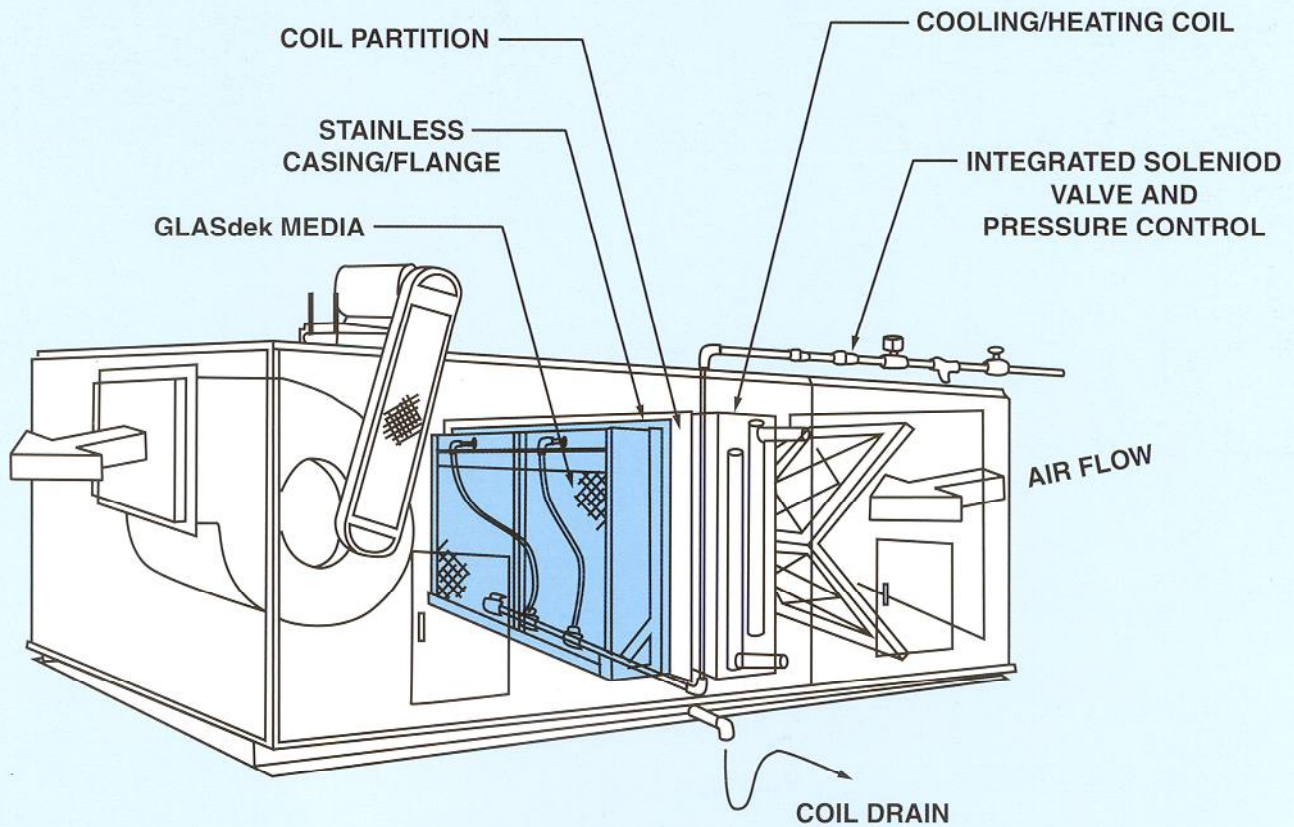
The Humidek™ evaporative cooling system combines nature's process of evaporation with Munters exclusive features providing precise humidity control.

- High quality, corrosion resistant construction ensure reliable operation.
- Modular units are delivered completely assembled from the factory.
- Low system pressure drop.
- Munters GLASdek® assures long dependable media life.
- Very low equipment and installation costs.
- Compact system delivers precise humidity.
- Fits in air handlers and roof top units.
- Easy to operate and maintain.

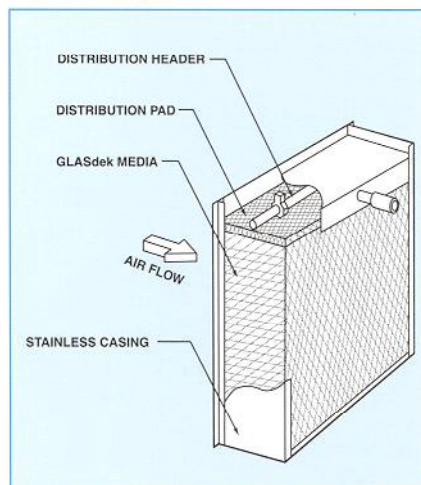
### FEATURES

- **Fire Retardant:** GLASdek media is UL 900 Class II fire rated, and meets NFPA 90-A fire codes.
- **Stainless Steel Construction:** 304 Stainless steel construction of frame and media supports assure corrosion free service.
- **Positive Draining:** Humidek integrates with existing equipment and drains for easy installation and operation.
- **Protective Edge Coating:** TUFedg® applied to the air entering face of GLASdek resists weathering.
- **Airflow Volumes:** Modular design allows multiple units to be stacked to meet any airflow requirements

# HUMIDEK



## HUMIDEK HUMIDIFICATION TECHNOLOGY



## SPECIFICATIONS

- The Humidek humidification module manufactured by Munters Corporation includes the housing, flanges, water distribution system, clean outs, and media. The media is GLASdek fiberglass humidification media.
- **Casing/Flanges:** Casing and flanges are constructed of 304 stainless steel.
- **Water Distribution Header:** The distribution header is designed with removable end caps to facilitate periodic cleaning and flushing of the header pipe.
- **GLASdek Humidification Media:** GLASdek media is UL 900 Class II fire rated. The engineered media is self-supporting, impregnated, and treated to give high absorbency and protection against decomposition through the effects of water and air. It is a cross-fluted, self-cleaning design. Saturation efficiency for 4 inch depth media exceeds 50% when operated at 400 feet per minute face velocity.



Munters Corporation - Systems Division  
 P.O. Box 6428  
 Ft. Myers, FL 33911  
 TEL: (941) 936-1555 or (800) 446-6868  
 FAX: (941) 278-1316  
 WWW: <http://www.muntersamerica.com>  
 E-mail: [moreinfo@muntersamerica.com](mailto:moreinfo@muntersamerica.com)

MB-HDB-0102