

Hoods and Transitions

Custom configure your Aerotech fans



24"- Advantage® fan in FPT



16, 18 or 24" panel fan - mounted in FPT



Hoods and Transitions

Aerotech hoods and transitions allow you to customize your Aerotech fan for special applications and improved performance. The fiberglass pit transition is designed to remove dangerous pit gases. It can be custom fit in a concrete pit pump out. Our fiberglass riser duct can be mounted directly onto the building for removal of pit gases. The fiberglass weatherhood is ideal for exhaust fans or shutters when wind conditions reduce their effectiveness.

PRODUCT INFORMATION

Fiberglass Pit Transition:

- 1 piece fiberglass construction.
- Totally corrosion resistant for protection from harsh environment
- Aluminum rails for easy shutter installation.

Fiberglass Riser Duct:

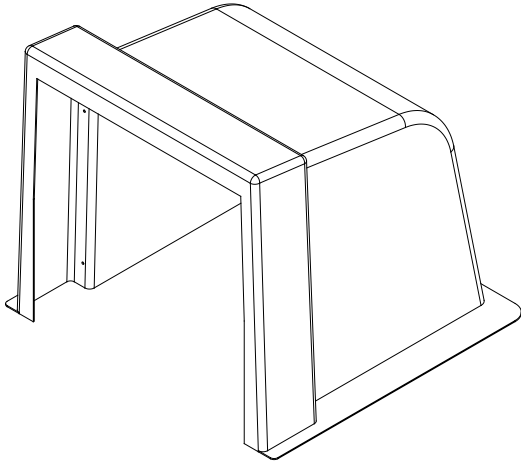
- Mount directly to building for removal of pit gases.
- The rugged fiberglass with noncorrosive fasteners assures long life.
- Easy mounting for 14"- 24" exhaust fans.

Fiberglass Weatherhoods:

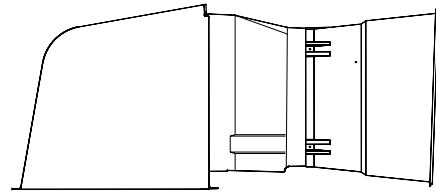
- Fiberglass construction with stainless steel lag bolts.
- Easy installation with minimal maintenance.
- Available in 4 sizes to protect openings up to 60" square.



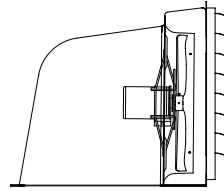
Fiberglass Pit Transition and Adapter



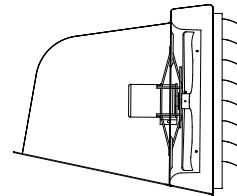
FPT, Pit Transition



24" Advantage® Fan



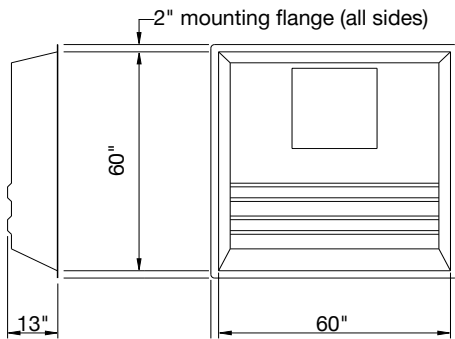
flat mount



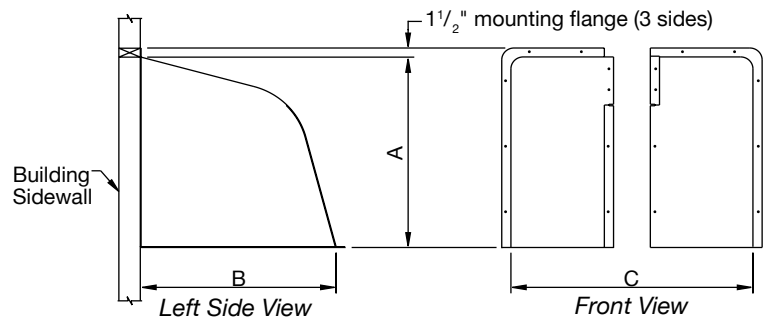
12 degree angle

(Available in 16", 18" and 24")

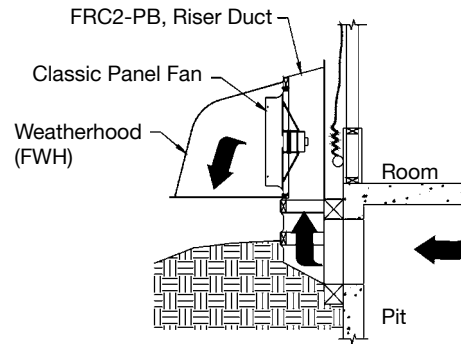
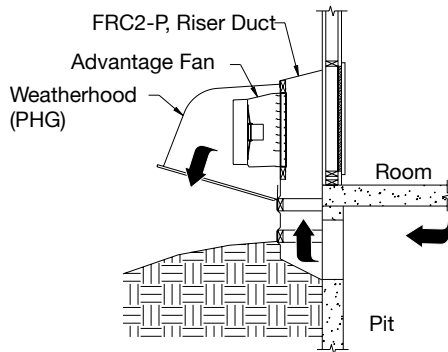
Fiberglass Riser Duct



Fiberglass Weatherhood



Catalog No.	A	B	C	Framing Size (required on 3 sides)
FWH18	26"	26"	24½"	25"W. x 26"H.
FWH24	32"	32"	30½"	31"W. x 32"H.
FWH36	48"	48"	46½"	47"W. x 48"H.
FWH48	60"	60"	60½"	61"W. x 60"H.



Munters Corporation
 4215 Legion Drive Mason, MI 48854-1036 USA
 Toll-free: 800-227-2376 Local: 517-676-7070 Fax: 517-676-7078
 Email: aerotech@munters.com Web: www.munters.us/aerotech

